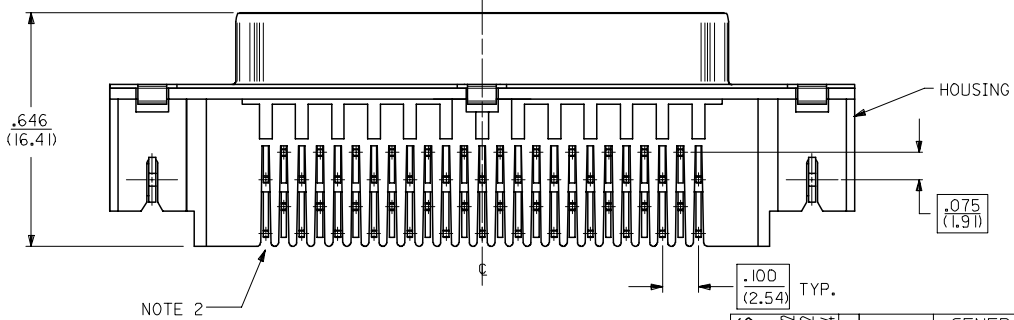
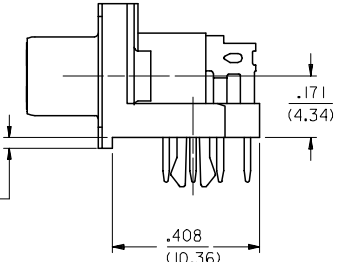
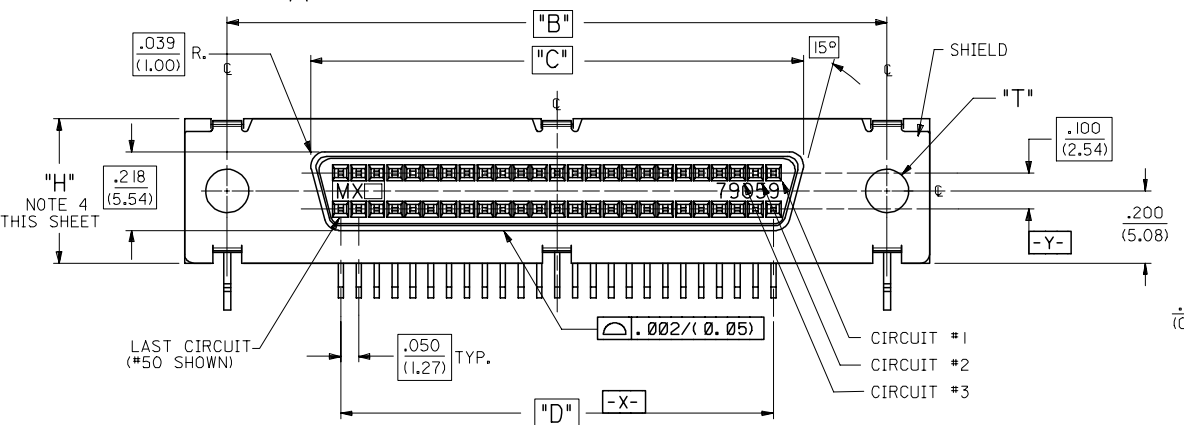
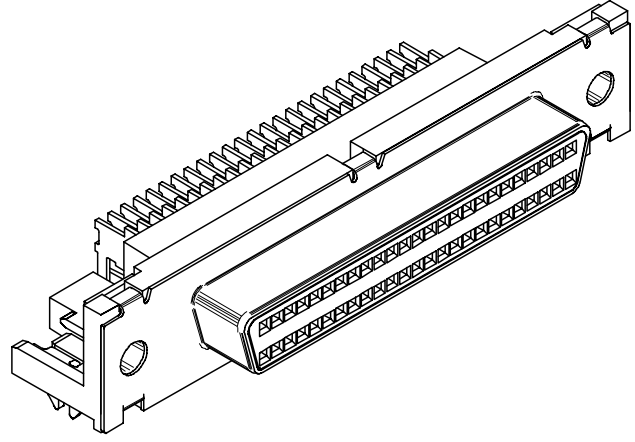
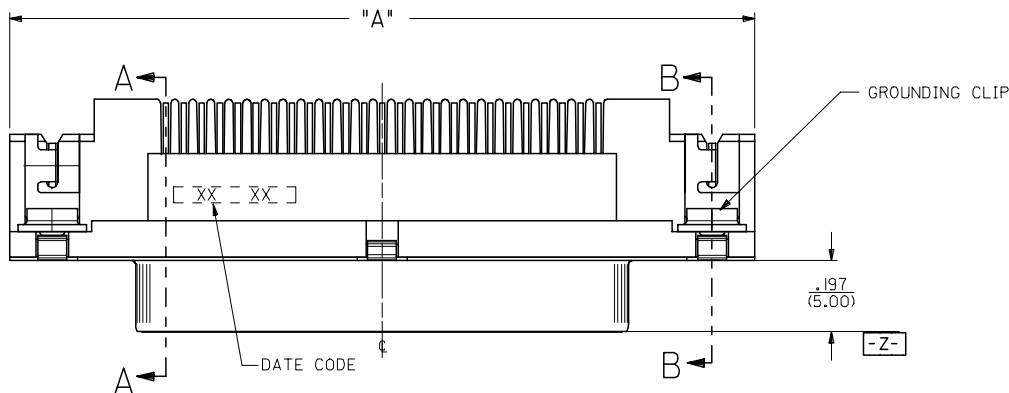


13 12 11 10 9 8 7 6 5 4 3 2 1

J
I
H
G
F
E
D
C
B
A

J
I
H
G
F
E
D
C
B
A



- NOTES:
- SEE SHEETS 3 AND 4 FOR PART NO.'S. AND CHARTED DIMENSIONS.
 - TAIL / PCB PATTERN FIXED AT LAST CIRCUIT POSITIONS FOR ALL CIRCUIT SIZES AT END SHOWN. (B12).
 - SEE SHEET 2 FOR ALL ADDITIONAL NOTES.
 - THE 'H' DIMENSION APPLIES ONLY TO THE PLASTIC HOUSING AND NOT THE SHIELD.

REMOVE OBSOLETE #S FC NO: UCP2006-2901 DRAWN:MS/BARRA CHKD:BBARKER APPR:SMILLER	DESCRIPTION 2006/06/12 2006/06/12 2006/06/14	QUALITY SYMBOLS ▽=0 ▽=0
---	---	-------------------------------

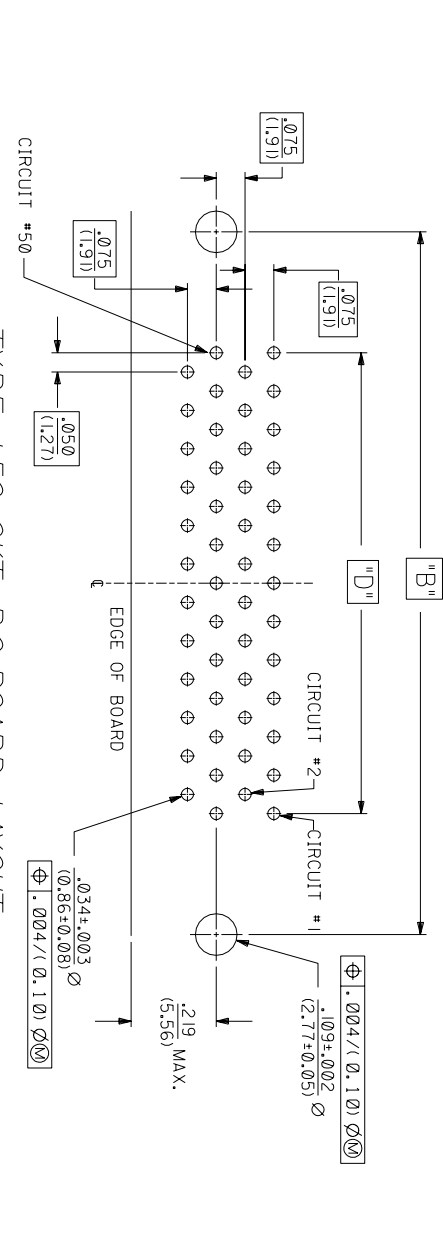
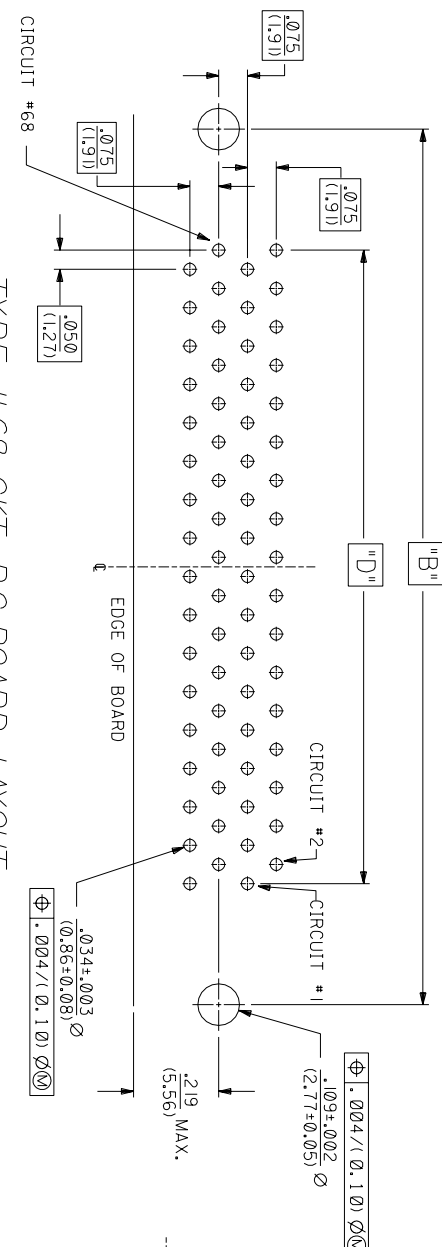
GENERAL TOLERANCES (UNLESS SPECIFIED)	
mm	INCH
4 PLACES ± ---	± ---
3 PLACES ± ---	± .005
2 PLACES ± 0.13	± ---
1 PLACE ± ---	± ---
ANGULAR ±1/2°	
DRAFT WHERE APPLICABLE MUST REMAIN WITHIN DIMENSIONS	

DIMENSION STYLE	
IN/MM	DATE
DRAWN BY	DATE
JLJONG	1989/03/27
CHECKED BY	DATE
BOWEN	1989/03/27
APPROVED BY	DATE
DJB	1989/03/27
MATERIAL NO.	DOCUMENT NO.
SEE TABLE	SDA-79059-1***

SCALE	DESIGN UNITS	THIRD ANGLE PROJECTION
4:1	INCH	☉ □
SALES ASSEMBLY SCSI SHIELDED RECEPTACLE		
MOLEX INCORPORATED		SHEET NO.
SDA-79059-1***		1 OF 4
THIS DRAWING CONTAINS INFORMATION THAT IS PROPRIETARY TO MOLEX INCORPORATED AND SHOULD NOT BE USED WITHOUT WRITTEN PERMISSION		

4	0
3	0
2	N
1	0
SHT	REV

12 11 10 9 8 7 6 5 4 3 2 1



NOTES:

1. REFER TO PS-79058 PRODUCT SPEC. FOR ELECTRICAL, MECHANICAL AND ENVIRONMENTAL SPECIFICATIONS.

2. MATERIAL:
RECEPTACLE HOUSING: GLASS FILLED LCP (LIQUID CRYSTAL POLYMER);
CONTACTS: PHOSPHOR BRONZE
COLOR-BLACK; UL 94V-0

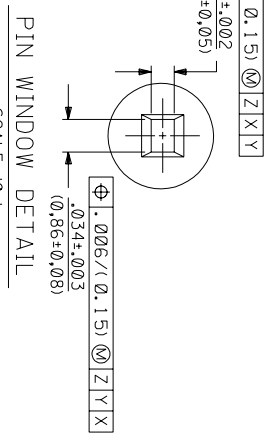
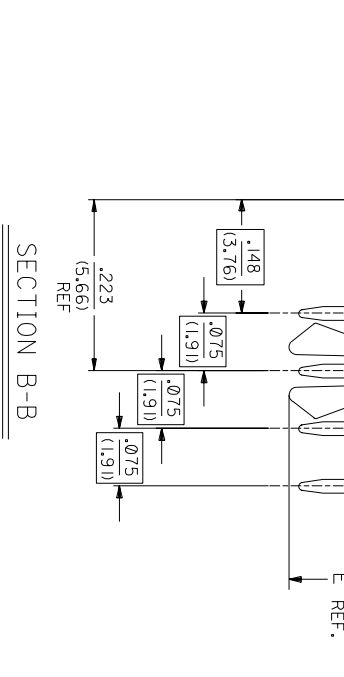
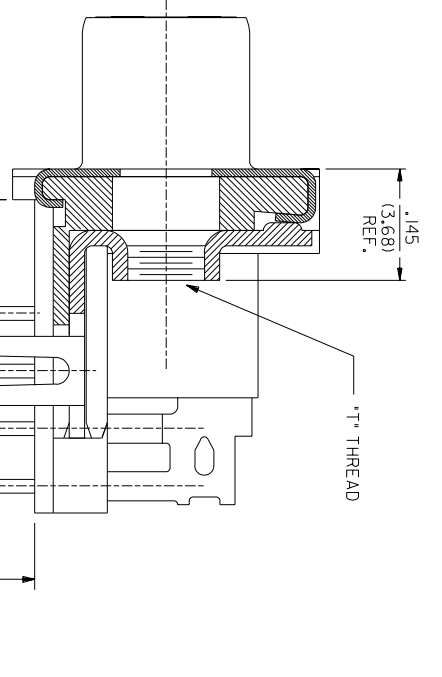
SHIELD: STEEL WITH BRIGHT TIN OVER NICKEL PLATING
OVER COPPER FLASH.

GROUNDING CLIP: BRASS WITH TIN OVER NICKEL PLATE

3. PACKAGING:
PARTS PACKAGED IN TUBES PER PK-70873-0207

4. PLATING:
SELECTIVE GOLD: THICKNESS= 30 MICRONS/(0.76 MICROMETERS) MINIMUM,
SELECTIVE TIN: THICKNESS= 75 MICRONS/(1.90 MICROMETERS) MINIMUM,
NICKEL UNDERPLATE OVERALL.

NOTE FOR LEAD FREE CONVERSION:
THE PRIMARY SHIPPING CARTON WILL BE LABELED "COMPLIANT TO ROHS DIRECTIVE 2002/95/EC
AND ELV ANNEX II OF DIRECTIVE 2000/53/EC". CARTONS WITHOUT THIS LABEL MAY CONTAIN
PRODUCT WITH LEAD.



REV.	DESCRIPTION	DATE
1	REVISIONS	
2	REVISIONS	

REV.	DESCRIPTION	DATE
1	REVISIONS	
2	REVISIONS	

MOLEX INCORPORATED SHEET NO. 2 DATE 08/14/89
 SCSi SHIELDED RECEPTACLE ASSEMBLY
 DRAWING NO. 6852
 FILE NAME SEE CHARTS SDA-79059-1 ***
 THIS DRAWING CONTAINS INFORMATION THAT IS PROPRIETARY TO MOLEX INC. AND SHOULD NOT BE COPIED WITHOUT WRITTEN PERMISSION.
 DC C

ASSEMBLIES WITH .078 DIAMETER END HOLES IN HOUSING AND #2-56 GND CLIPS

J	EDP/ITEM NUMBER	CKT. SIZE	HOUSING HOLE DIA.	DIM. T GND. CLIP THREAD	DIM. A		DIM. B		DIM. C		DIM. D		DIM. E		DIM. H		DIM. P		RECMD PCB	
					INCH	MM	INCH	MM	INCH	MM	INCH	MM	INCH	MM	INCH	MM	INCH	MM	INCH	MM
X		50	.078	2-56	2.065	52.54	1.830	46.48	1.366	34.69	1.200	30.48	.105	2.67	.400	10.16	.125	3.18	.062	1.57
X		68	.078	2-56	2.515	63.88	2.280	57.91	1.816	46.13	1.650	41.91	.105	2.67	.400	10.16	.125	3.18	.062	1.57
X		50	.078	2-56	2.065	52.54	1.830	46.48	1.366	34.69	1.200	30.48	.136	3.45	.400	10.16	.125	3.18	.093	2.36
X		68	.078	2-56	2.515	63.88	2.280	57.91	1.816	46.13	1.650	41.91	.136	3.45	.400	10.16	.125	3.18	.093	2.36
X		50	.078	2-56	2.065	52.54	1.830	46.48	1.366	34.69	1.200	30.48	.168	4.27	.400	10.16	.165	4.19	.125	3.18
X		68	.078	2-56	2.515	63.88	2.280	57.91	1.816	46.13	1.650	41.91	.168	4.27	.400	10.16	.165	4.19	.125	3.18

X - NOT TOOLED

ASSEMBLIES WITH .105 DIAMETER END HOLES IN HOUSING AND #4-40 GND CLIPS

	015-87-6040	50	.105	4-40	2.065	52.54	1.830	46.48	1.366	34.69	1.200	30.48	.105	2.67	.400	10.16	.125	3.18	.062	1.57
	015-87-6200	68	.105	4-40	2.515	63.88	2.280	57.91	1.816	46.13	1.650	41.91	.105	2.67	.400	10.16	.125	3.18	.062	1.57
	015-87-6041	50	.105	4-40	2.065	52.54	1.830	46.48	1.366	34.69	1.200	30.48	.136	3.45	.400	10.16	.125	3.18	.093	2.36
	015-87-6201	68	.105	4-40	2.515	63.88	2.280	57.91	1.816	46.13	1.650	41.91	.136	3.45	.400	10.16	.125	3.18	.093	2.36
X		50	.105	4-40	2.065	52.54	1.830	46.48	1.366	34.69	1.200	30.48	.168	4.27	.400	10.16	.165	4.19	.125	3.18
X		68	.105	4-40	2.515	63.88	2.280	57.91	1.816	46.13	1.650	41.91	.168	4.27	.400	10.16	.165	4.19	.125	3.18

X - NOT TOOLED

NOTE: ASSEMBLIES LISTED ON THIS SHEET HAVE A SMALLER HOLE DIAMETER FOR INSERTION OF SCREWLOCKS USING A POWER DRIVER.

REMOVE OBSOLETE #S FIC NO. UICP2006-2901 DRAWN BY: BARRA 2006/06/12 CHKD: BARKER 2006/06/12 APPR: SMILLER 2006/06/14 REV	QUALITY SYMBOLS ▽=0 ▽=0	GENERAL TOLERANCES (UNLESS SPECIFIED)		DIMENSION STYLE IN/MM		SCALE ---	DESIGN UNITS INCH	THIRD ANGLE PROJECTION		
		mm	INCH	DRAWN BY JLONG	DATE 1997/09/29	TITLE SCSI SHIELDED RECEPTACLE ASSEMBLY				
		4 PLACES ± ---	± ---	CHECKED BY JLONG	DATE 1997/09/29	MATERIAL NO. DJB				
		3 PLACES ± ---	± .005	APPROVED BY DJB	DATE 1997/09/29	DOCUMENT NO. SDA-79059-1***				
		2 PLACES ± 0.13	± ---	DRAFT WHERE APPLICABLE MUST REMAIN WITHIN DIMENSIONS		SIZE C		THIS DRAWING CONTAINS INFORMATION THAT IS PROPRIETARY TO MOLEX INCORPORATED AND SHOULD NOT BE USED WITHOUT WRITTEN PERMISSION		
		1 PLACE ± ---	± ---	ANGULAR ±1/2°		SHEET NO. 3 OF 4				